



2100 South Clearwater Drive
Des Plaines, IL 60018
Phone: 847-803-5000
Fax: 847-803-5454
www.chicagofaucets.com

FOR TECHNICAL ASSISTANCE
1-800-TEC-TRUE (1-800-832-8783)

ROUGH-IN

BY: SID DATE: 04-07-15
CHK: REV: *S/D*

FITTING NO.

83-XXABNF

SUBMITTED MODEL NO.

SUBMITTED AS SHOWN

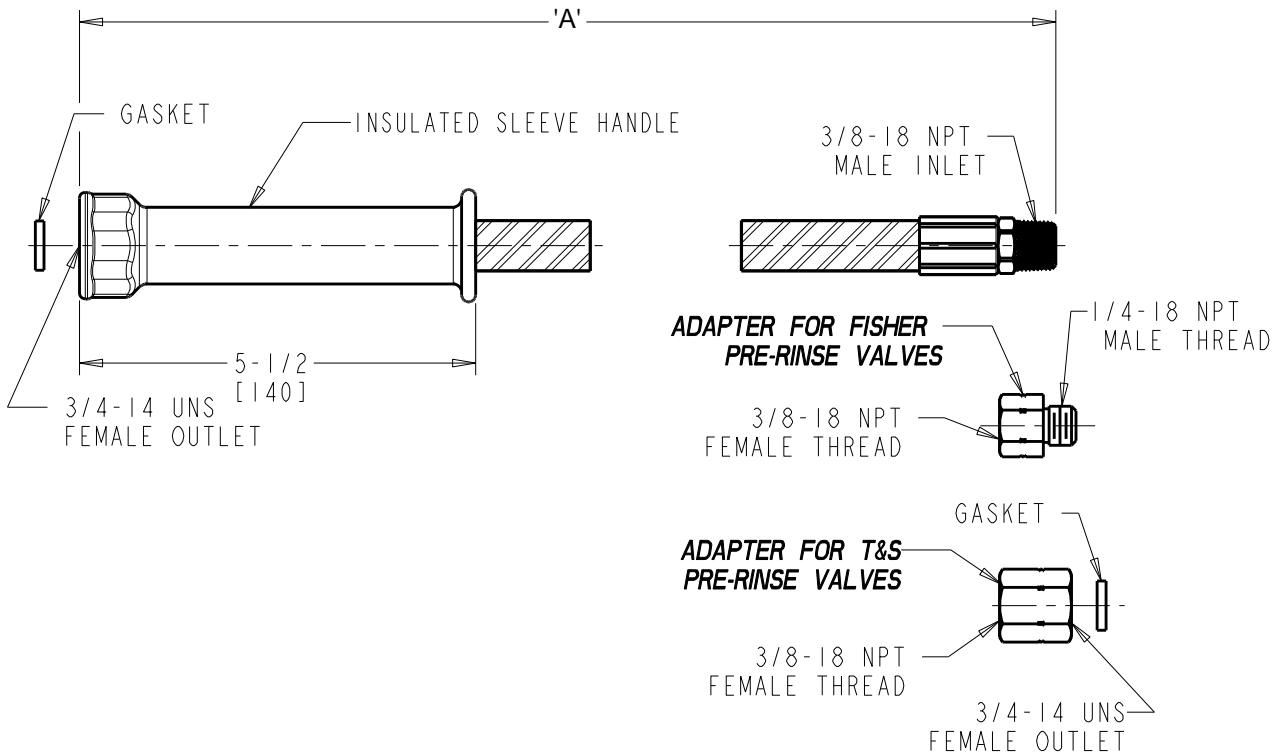
SUBMITTED AS NOTED

SEE ATTACHED FOR
SUBMITTED MODIFICATION

JOB NAME

ITEM NO.

| FITTING NO. | 'A' | |
|-------------|-----|-----|
| | IN | CM |
| 83-29ABNF | 29 | 74 |
| 83-44ABNF | 44 | 112 |
| 83-58ABNF | 58 | 147 |
| 83-77ABNF | 77 | 196 |



DIMENSIONS ARE IN INCHES AND [MILLIMETERS].

TECHNICAL DATA

- FLEXIBLE STAINLESS STEEL HOSE WITH INTEGRAL GRANITE GREY INSULATED HANDLE
- FINISH: NO FINISH

ROUGHING IN DIMENSIONS MAY VARY AND ARE SUBJECT TO CHANGE. NO RESPONSIBILITY IS ASSUMED FOR USE OF SUPERCEDED OR VOIDED DATA.